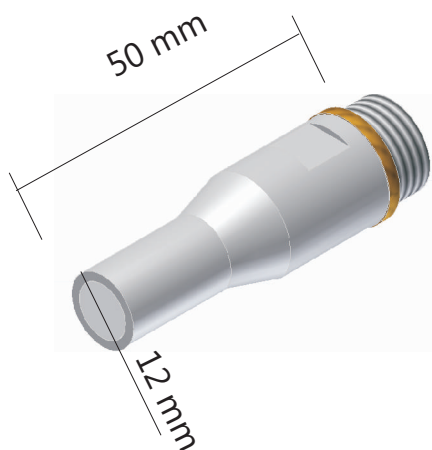
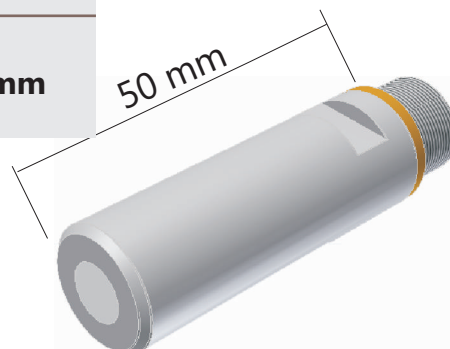


HERC 17

CODICE CODE	TEMEPERATURA D'ESERCIZIO OPERATING TEMEPERATURE	DIAMETRO DIAMETER
ZZA00106	760°C (1000°C MAX) 1400°F (1832°F MAX)	17 mm



HEM 17

CODICE CODE	TEMEPERATURA D'ESERCIZIO OPERATING TEMEPERATURE	DIAMETRO DIAMETER
ZZA00100	760°C (1000°C MAX) 1400°F (1832°F MAX)	17 mm

HEM 14

CODICE CODE	TEMEPERATURA D'ESERCIZIO OPERATING TEMEPERATURE	DIAMETRO DIAMETER
ZZA00130	760°C (1000°C MAX) 1400°F (1832°F MAX)	14 mm



ESTERNO OUTDOOR	IMPERMEABILE WATERPROOF	GAS	GASOLINE
●	●	●	●